

Product Features

- Utilizes globally available 2.4 GHz ISM band
- Control and Configuration with UART commands.
- 65535 unique node addresses, IDs allow multiple large networks to coexist.
- Programmable Transmit Power Output, max. 12 dBm
- Complete IEEE 802.15.4 spec compliant
- Typical Receiver Sensitivity -102 dBm
- Obstructed signal range to 100 meters @ 12dBm/PA and -102dBm/LNA
- Multiple Low Power Operating modes
- 3-in-1 RS-232/422/485 interface Max 57.6Kbps Serial interface and zigbee.
- Supports 4- and 2-wire RS-485 with AUTO-SEND™ and built-in terminator
- Supports industrial 24 VDC power input and optional Power over Serial
- Terminal block accessories for easy RS-422/485 serial wiring
- Easy and powerful configuration program
- Approval CE, RoHS



Product Description

The ATC-3200 is a cost effective and highly integrated Serial-to-Zigbee wireless Converter. Built on ZigBee technology, the ATC-3200 is ideal for a range of applications from simple RS-232 cable replacement to sophisticated multi-drop RS-485 networks and everything in between. Available in RS-232/RS-422/RS-485.

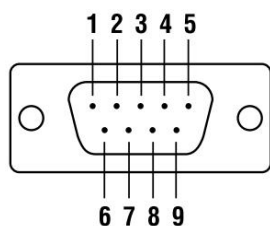
ZigBee is the global wireless language connecting dramatically different devices to work together and enhance everyday life. The ZigBee Alliance is a non-profit association of more than 280 member companies driving development of ZigBee wireless technology. The Alliance promotes world-wide adoption of ZigBee as the leading wirelessly networked, sensing and control standard for use in energy, home, commercial and industrial areas.

Product Application

- Wireless remote control
- Automatic data acquisition systems
- Meteorology and hydrology monitoring
- Building automation
- Personal area network
- Gate safety check on work attendance
- POS system
- Wireless monitoring of machine room facilities;
- PC peripherals

Pin Assignment

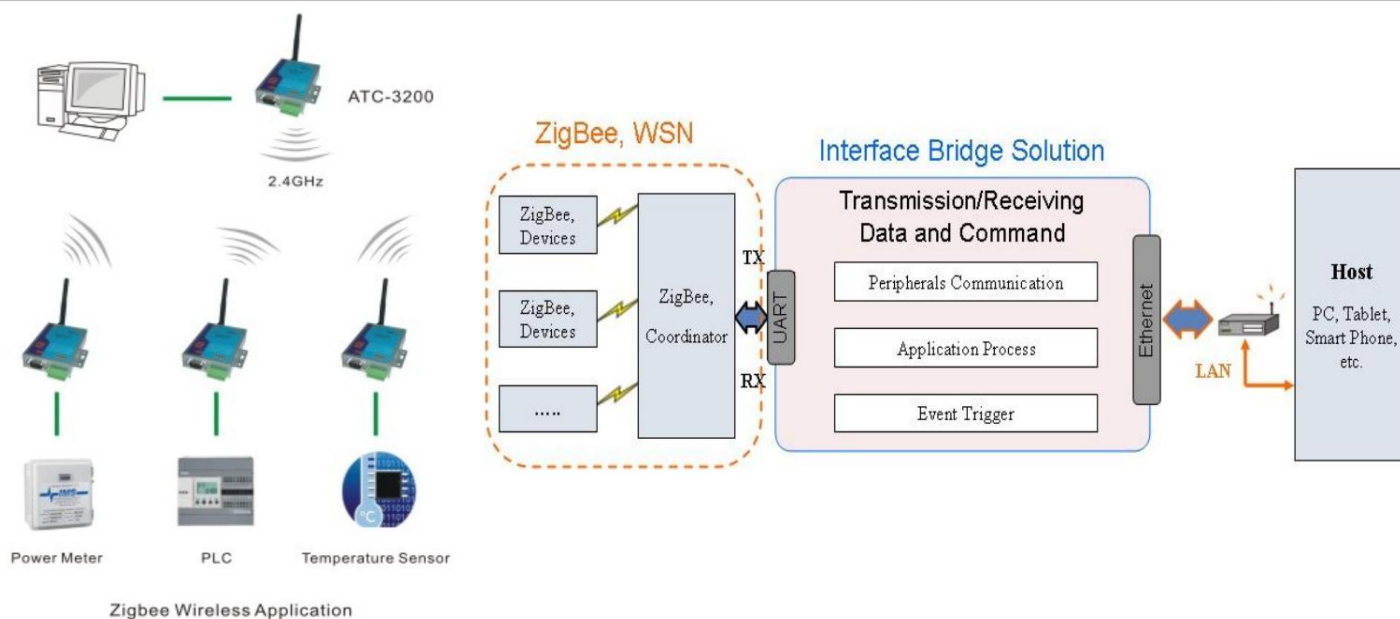
RS-232 DB9 (Male)



PIN	RS-232
1/4/6/9	-
2	RXD (in)
3	TXD (out)
5	GND
7	CTS (out)
8	RTS (in)

RS-485/232 6-pin Terminal block

1	2	3	4	5	6
485+ (T+)	485- (T-)	R+	R-	VCC (9-24VDC)	GND



Specifications

Serial Interface		
Interface Type	RS-232/485/422 (optional)	
Connector	RS-232	DB9(Male)
	RS-485/422	6-pin Terminal block
LED Indicators	SET	Indication Zigbee Link, yellow on Zigbee Link established
	LINK	Data Sending/Receiving between Serial and the Zigbee
	PWR	Power indicator
Power Supply	9~24VDC@1A	
Physical Characteristics		
Installation	DIN-Rail Mounting	
Housing	Iron (1mm)	
Weight	0.5Kg	
Dimensions	100 × 86 × 26 mm(3.94 × 3.39 × 1.02 in)	
Environmental Limits		
Operating Temperature	-35 ~ 70°C	
Storage Temperature	-45 ~ 125°C	
Ambient Relative Humidity	5% to 95%(non-condensing)	
Standards and Certifications		
RoHS, CE		

Order Information

ATC- 3200 Zigbee to RS-232/422/485 Converter 2.4GHz 100meter

Contact us

Shenzhen ATC Technology Co., Ltd

Room 803, Block B, Building 4, Tian'an Cyber Park, Longgang District, Shenzhen,China,518172

Tel: +86-755 - 8345 2531 / 8345 3318

Fax: +86-755-2899 8985

www.szatc.com tech@szatc.com